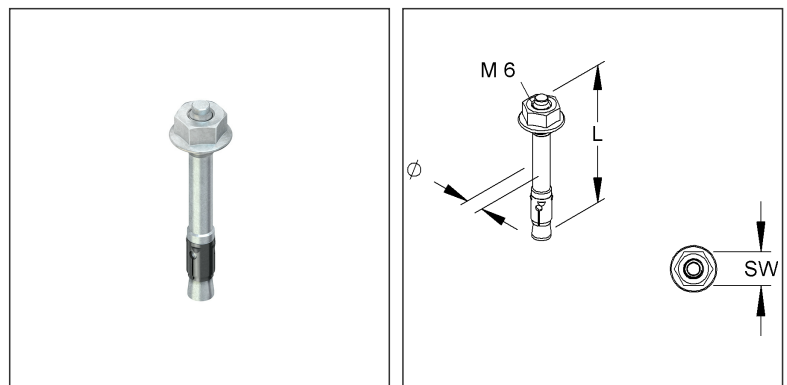


Anchor Bolt

DAM 6X10

EAN Code: 4013339117666
Smallest packaging unit: 100 pcs.

the photorealistic images are to be considered as reference images



Article Description

Anchor bolt, thread M6, clamping range ≤ 10 mm, steel, electro galvanised according to DIN EN ISO 2081/4042, incl. nut

Additional Price Information

| | |
|---------------|------|
| Article group | N19 |
| quantity unit | pcs. |

Weight

| | |
|--------------------------|------------------|
| Weight per quantity unit | 13 g / pcs. |
| Weight in kg per 100 | 1,3 kg / 100pcs. |

Physical Article Dimensions

| | |
|--------------|----------|
| Height | 12.50 mm |
| Width | 12.50 mm |
| Depth/length | 55.00 mm |

Technical Datasheet

Dowels

DAM 6X10

the photorealistic images are to be considered as reference images

Packing Dimension

| | | | | | |
|-------------------------------|---------------|-------------------------------------|----------------------|--------------------|-----------|
| 100 pieces = 1 carton | | ✓ VP1-smallest packaging unit (PU) | | ✓ VP1-preferred PU | |
| Lenght | 180.00 mm | Width | 45.00 mm | Height | 90.00 mm |
| Gross weight | 1,3 kg | Volume | 0,001 m ³ | | |
| Min. quantity | 100.00 pcs. | Max. Quantity | 100.00 pcs. | | |
| 5200 pieces = 1 pallet | | | | | |
| Lenght | 1200 mm | Width | 800 mm | Height | 195.00 mm |
| Gross weight | 83 kg | Volume | 0,187 m ³ | | |
| Min. Quantity | 5.200.00 pcs. | Max. Quantity | 5.200.00 pcs. | | |

Tender Text

Push-through anchor with metric connection thread M 6, including galvanised flange nut. Permissible loads for centric tension, shear load and diagonal tension at any angle as well as anchor characteristics and component dimensions for concrete strength classes \geq B 25 or C 20/25 and \leq B 55 or C 50/60. For the design, the entire approval notice no.: ETA-18/0541 must be observed! For outdoor use, we recommend stainless steel push-through anchors! For use in functional maintenance or for suspended ceilings with fire protection requirements (MLAR 2/2015), please observe additional regulations!

Range of application: The anchor may be used as a multiple anchor for anchoring light ceiling linings and suspended ceilings acc. to DIN 18168, as well as for statically comparable anchorings up to 1 kN/m² - also in the tension zone generated from load stresses. Setting of the push-through anchor that the effective anchorage depth is complied with. Compliance is ensured by observing the permissible thickness of the attachment (clamping range).

Technical data

Connection thread : M 6

Total length L : 55 mm

Nominal bore \varnothing : 6 mm

Clamping range t fix : \leq 10 mm

Effective anchorage depth h ef : 30 mm

Recommended torque : 4 Nm

Width across flats : 10

Material : electro galvanised according to DIN EN ISO 19598/4042, blue passivated

Approval no. : ETA-18/0541 DoP NI001

NIEDAX Model no. : DAM 6X10

EP Material _____ EP Wage _____

Unit price/piece

Safety & Environment

| | |
|------------|-------------|
| REACH Date | 05.11.2025 |
| REACH Info | Conformable |
| RoHS Info | Conformable |

Origin & International Trade

| | |
|-----------------------|----------|
| Country of origin | DE |
| Customs tariff number | 73181900 |